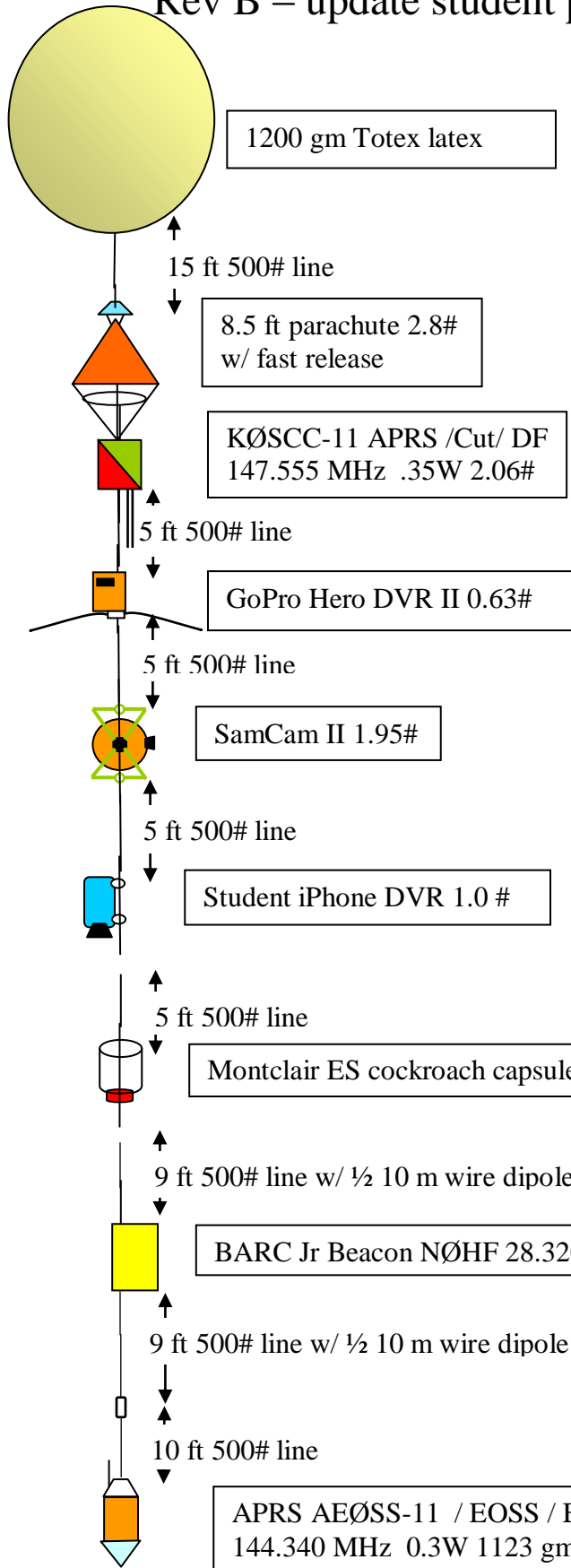


Payload Plan

EOSS-173

25 Feb 2012 0710 MST

Rev B – update student payloads, drop flip cam



Item	Weight, lb	Weight, gm
Student Payloads	2.79	1,266
EOSS Payloads	7.14	3,241
Parachute and cutter	2.8	1,271
Neck load	12.7	5,765
Balloon	2.64	1,198
Gross wt	15.3	6,945
Gross lift factor	1.25	1.25
Neck lift	16.5	7,490
Liftwin He fill std cuft	284	--
Liftwin Burst Alt, Kft MSL	85	--