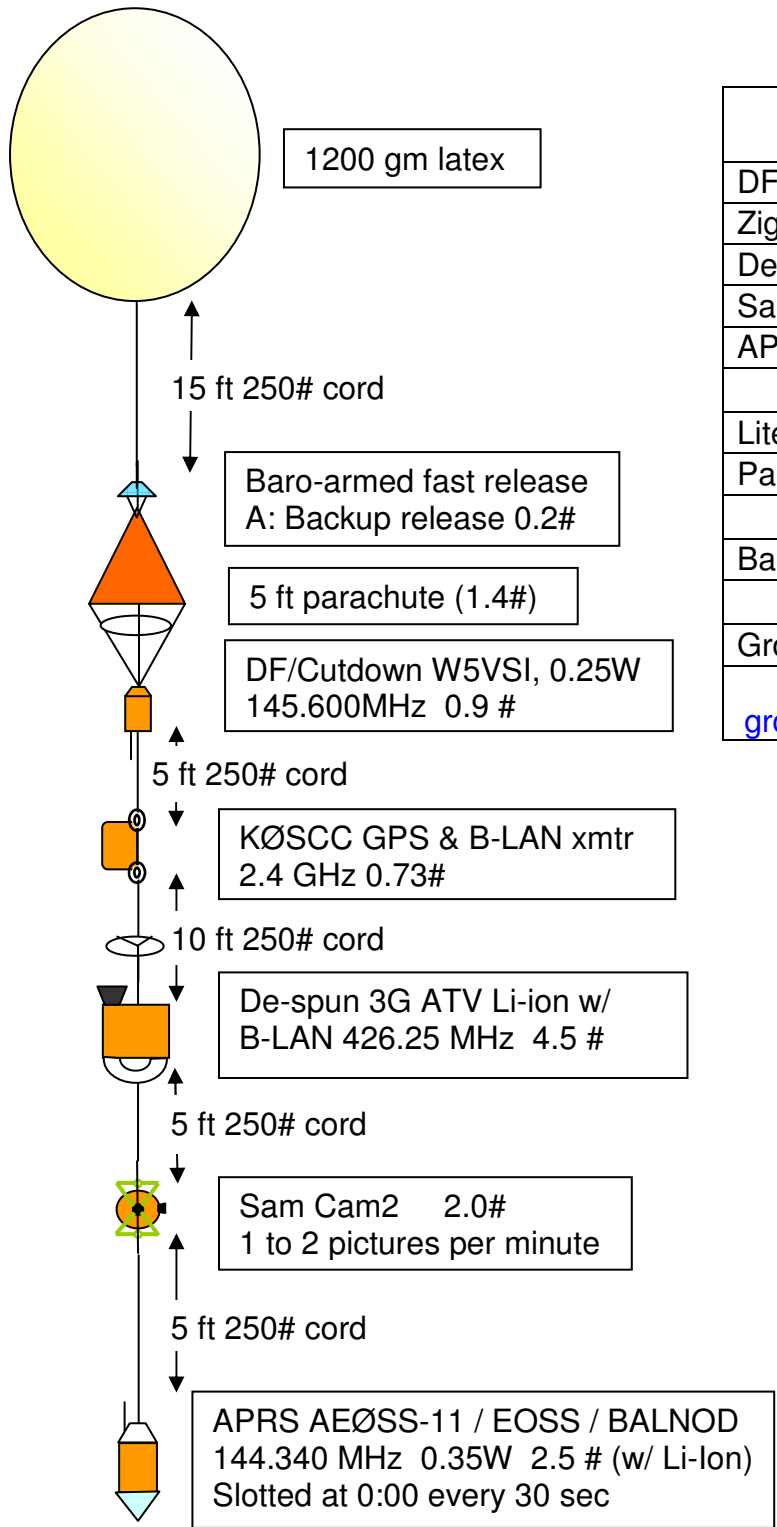


Payload Plan EOSS-144 GPSL 2009

Rev 5 July 5, 2009



Item	Weight, lb
DF Cutter	0.90
Zigbee & GPS	0.73
De-spun ATV	4.50
Sam Cam2	2.00
APRS Module	2.50
Payload Wt.	10.63
Lite Quick Release	0.20
Parachute	1.40
Neck load	12.23
Balloon	2.66
Gross wt	14.89
Gross lift factor	1.25
Neck Lift [(GLF x gross wt.) - Balloon]	15.95