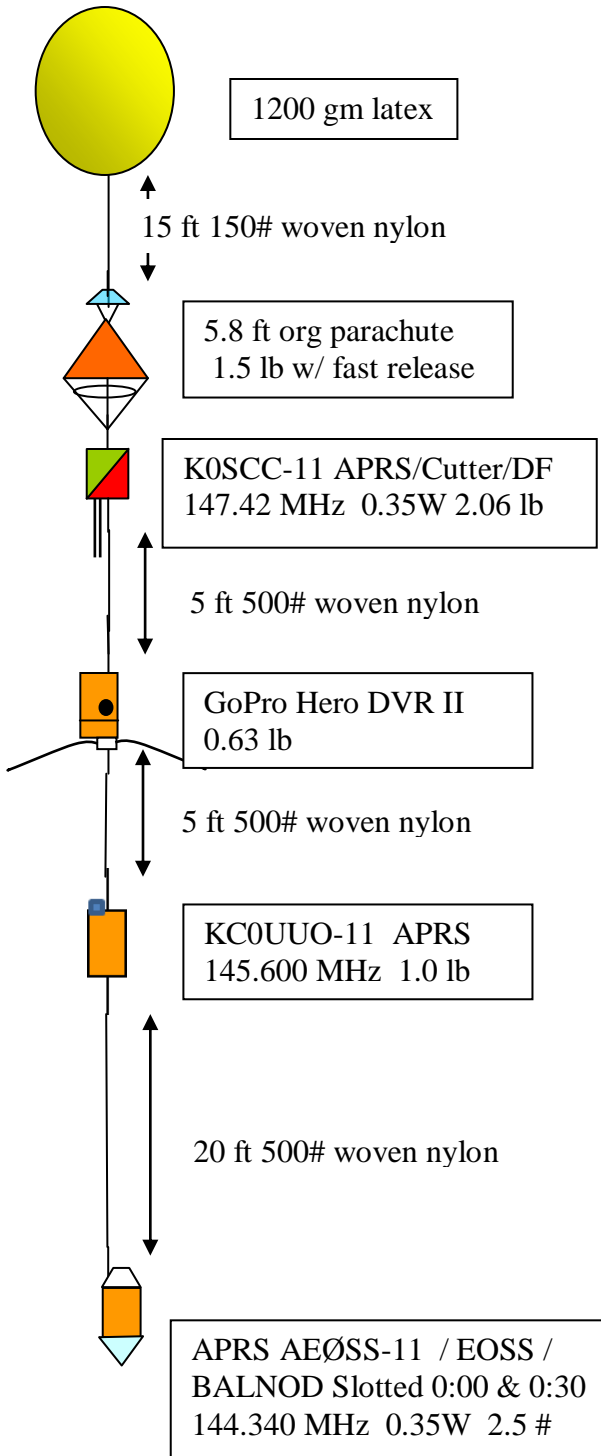


# Payload Plan

EOSS-188 15 June 2013 GPSL

Rev C



Item	Weight, lb
Parachute, cutter	1.50
K0SCC-11	2.06
GoPro Hero DVR II	0.63
KC0UUO-11	1.00
AEØSS-11	2.50
Neck load	7.69
Balloon	2.64
Gross wt	10.33
Gross lift factor	1.25
Neck lift	10.27
Liftwin H2 fill std cuft	195
Liftwin Burst Alt, kft MSL	95