

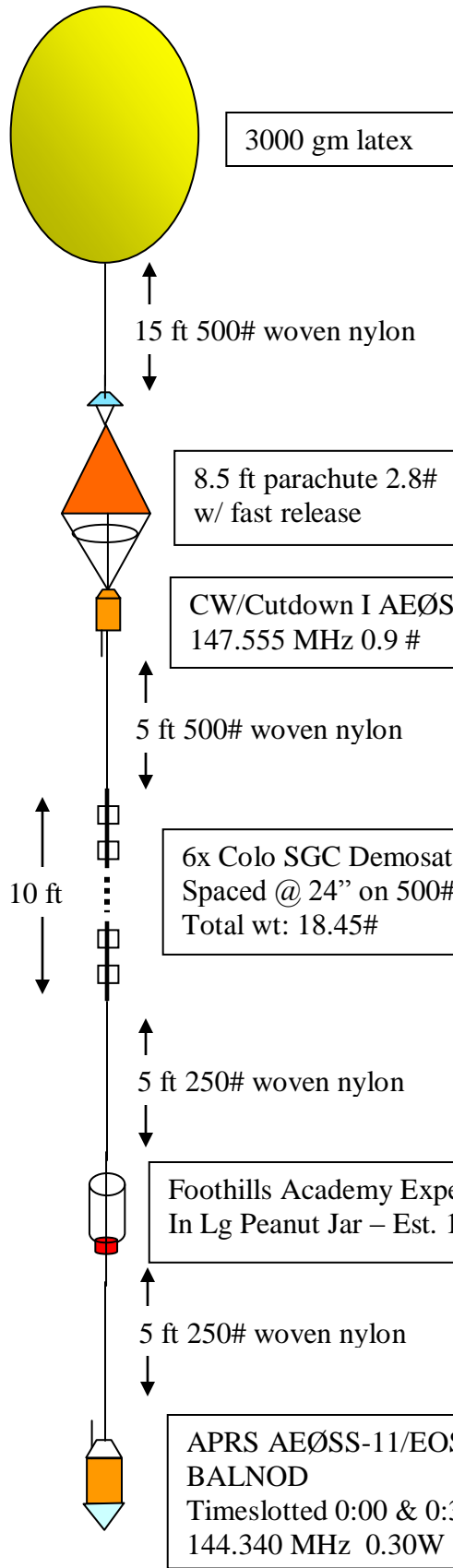
Payload Plan

EOSS-149

16 Jan 2010 @ 0720

Rev C – Final wts + FHA jar

97 k ft



Item	Weight, lb
Student Payloads (est'd)	19.45
EOSS Payloads	3.4
Parachute & fast release	2.8
Neck load	25.7
Balloon	6.6
Gross wt	32.3
Gross lift factor	1.15
Neck lift	30.5
Liftwin v0.41 He fill	615 ft ³
Liftwin v0.41 burst alt	97 K'

www.wxqa.com/cgi-bin/balon1.cgi
 AEØSS-11 / EOSS-149